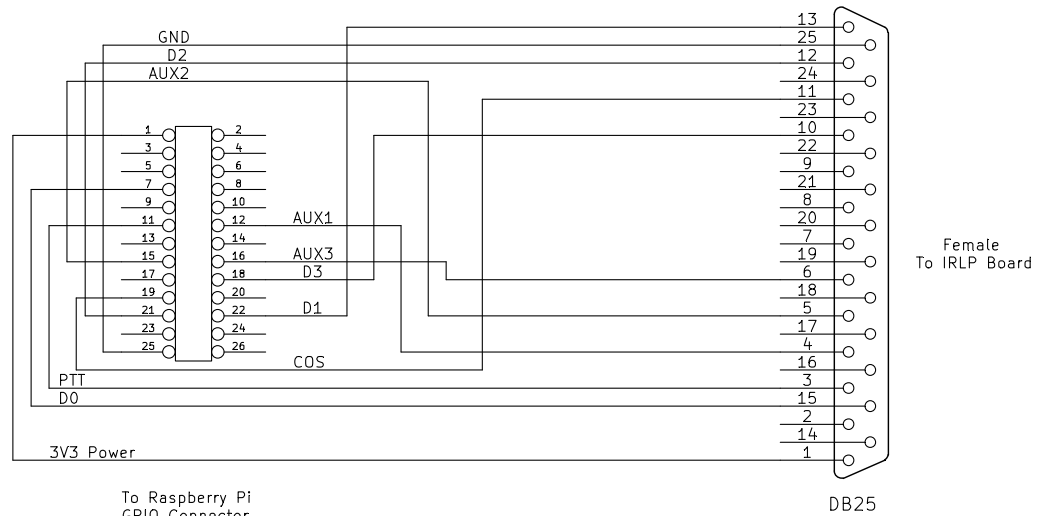


Wiring Table

GPIO	DB25	Label
1	1	3V3
2	NC	5V
3	NC	GPIO 0 (SDA)
4	NC	5V
5	NC	GPIO 1 (SCL)
6	NC	GND
7	15	D0
8	NC	GPIO 14 (TXD)
9	NC	GND
10	NC	GPIO 15 (RXD)
11	3	PTT
12	4	AUX1
13	NC	GPIO 21 (PCM Dout)
14	NC	GND
15	5	AUX2
16	6	AUX3
17	NC	3V3
18	10	D3
19	11	COS
20	NC	GND
21	12	D2
22	13	D1
23	NC	GPIO 11 (SCKL)
24	NC	GPIO 8 (CE0)
25	25	GND
26	NC	NC



File: RaspberryPi IRLP Interface.sch	
Sheet: /	
<b>Title: Raspberry Pi to IRLP GPIO Wiring</b>	
Size: A4	Date: 26 mar 2013
KiCad E.D.A. eeschema (2012-01-19 BZR 3256)-stable	Rev: Id: 1/1